

William Saunders is the trading name of Wm Saunders Partnership LLP. Wm Saunders Partnership LLP is registered in England and Wales with the Registration number OC 306323. The Registered Office is Gungahon Chambers, 4 & Castle Gate, Newark on Trent, Notts, NG24 1JX.

This drawing and any design thereon is the copyright of William Saunders and must not be reproduced without its written consent.

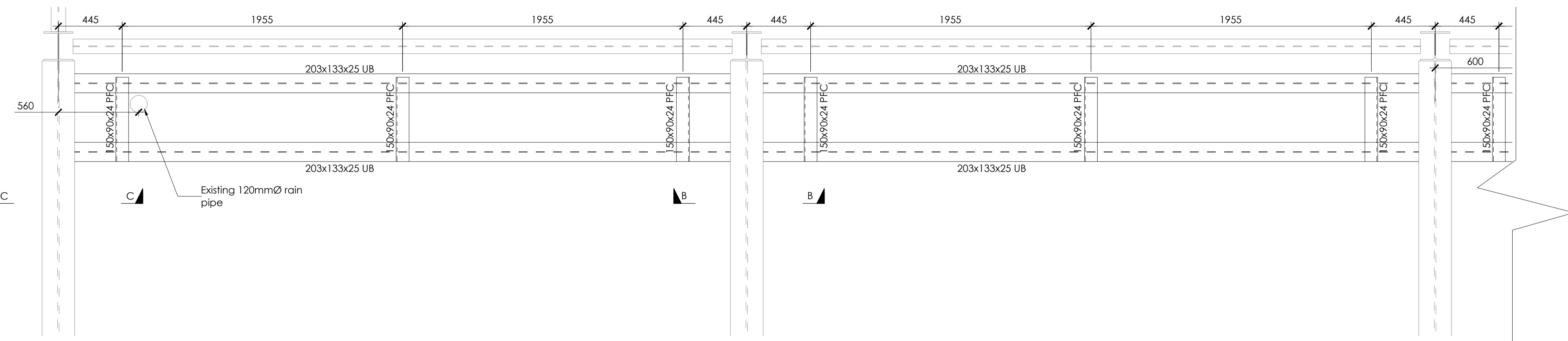
Contractors must verify all dimensions, levels and co-ordinates of the site before commencing any work or making any final drawings. No dimensions shall be measured from the drawing. If in doubt, ask William Saunders for confirmation.

Hard copies or PDF versions of drawings will always take precedence over CAD data. Furthermore, William Saunders does not undertake to issue data revisions as a matter of course. It is the recipient's responsibility to assess the impact of hard copy or PDF versions of drawings and request updated data if required.

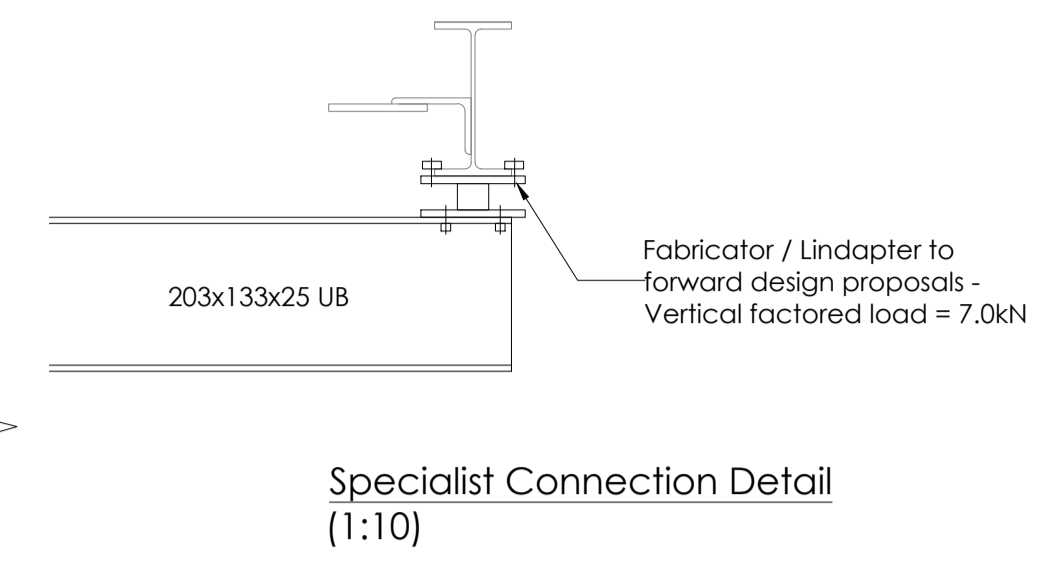
Nothing on this drawing confers or purports to confer on any third party any benefit under the Contracts (Rights of Third Parties) Act 1999.

Notes

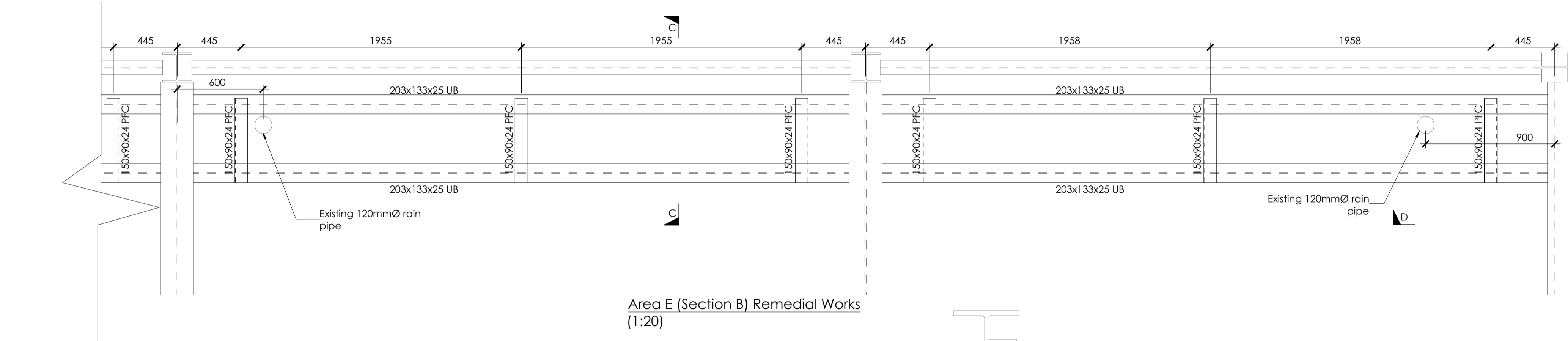
1. This drawing must be read in conjunction with all other Engineers and Architects drawings and relevant sections of the specification
2. For method statement and drawing notes refer to drawing: **2001_GENERAL_NOTES_&_METHOD_STATEMENT**
3. Concrete grade to be PAV2



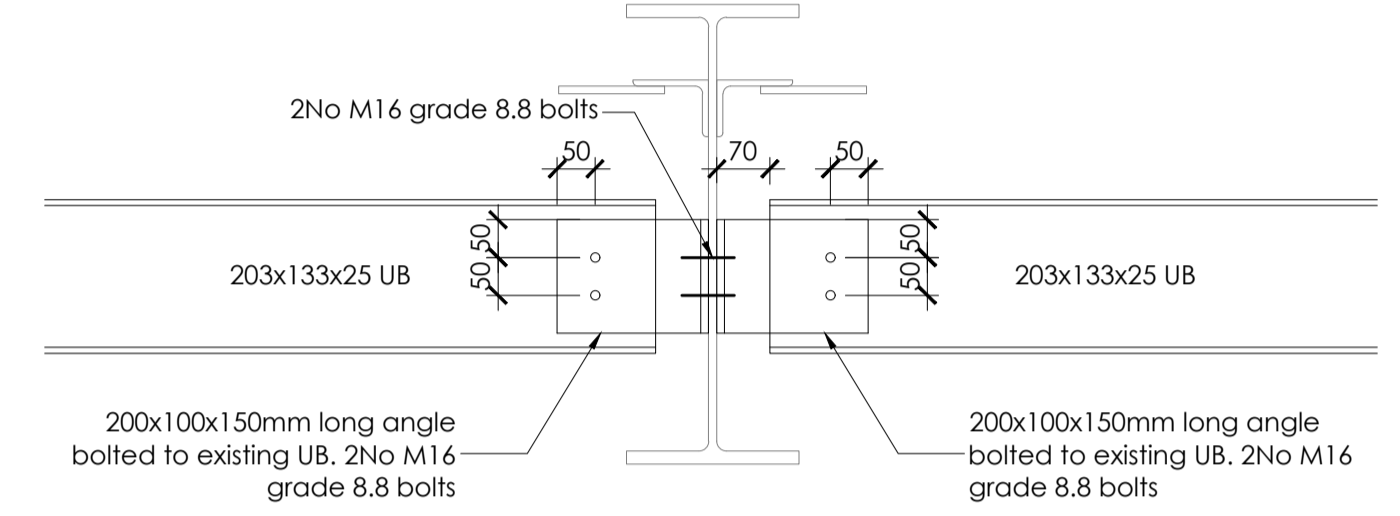
Area E (Section A) Remedial Works (1:20)



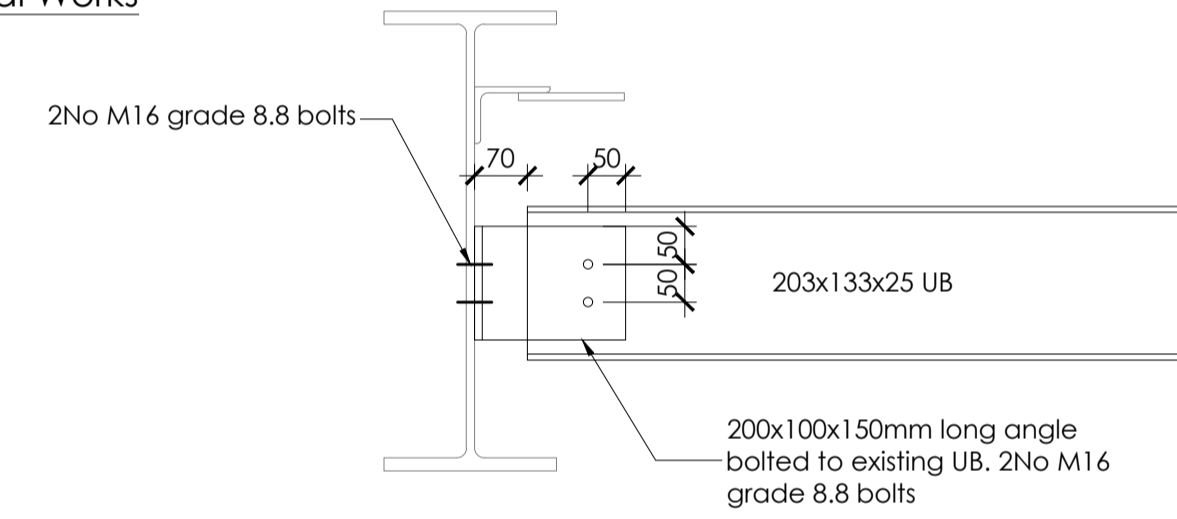
Specialist Connection Detail (1:10)



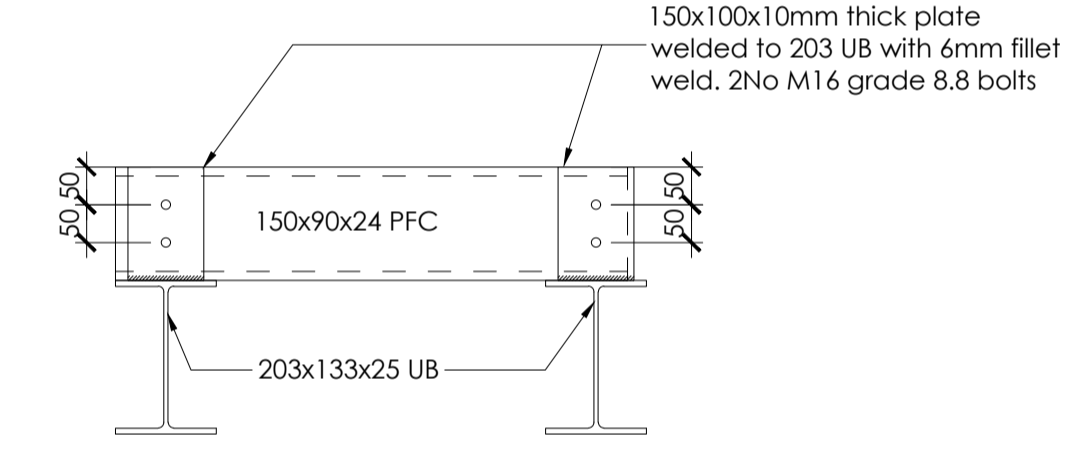
Area E (Section B) Remedial Works (1:20)



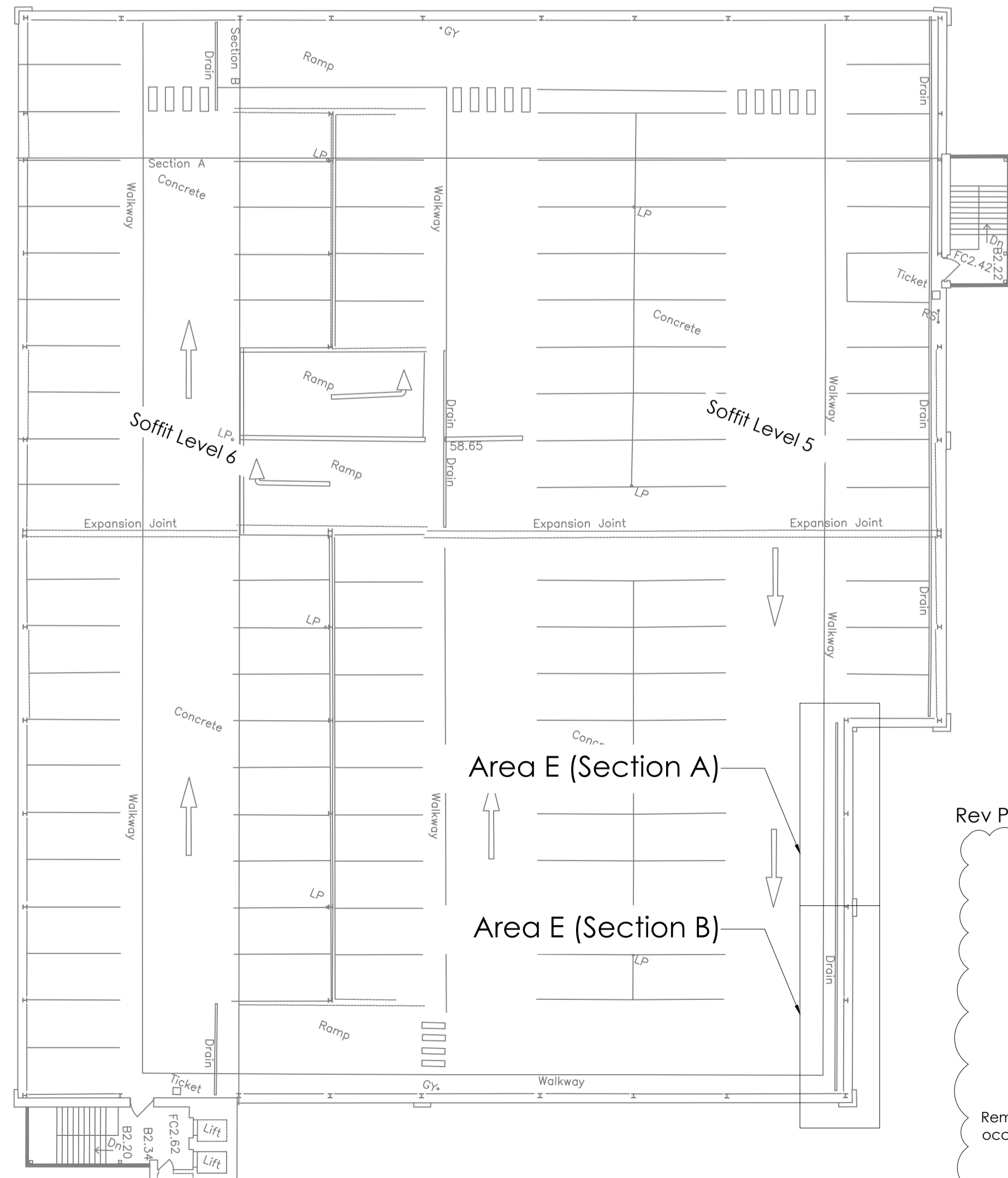
New 203 UB Double Sided Connection Detail to Existing UB (1:10)



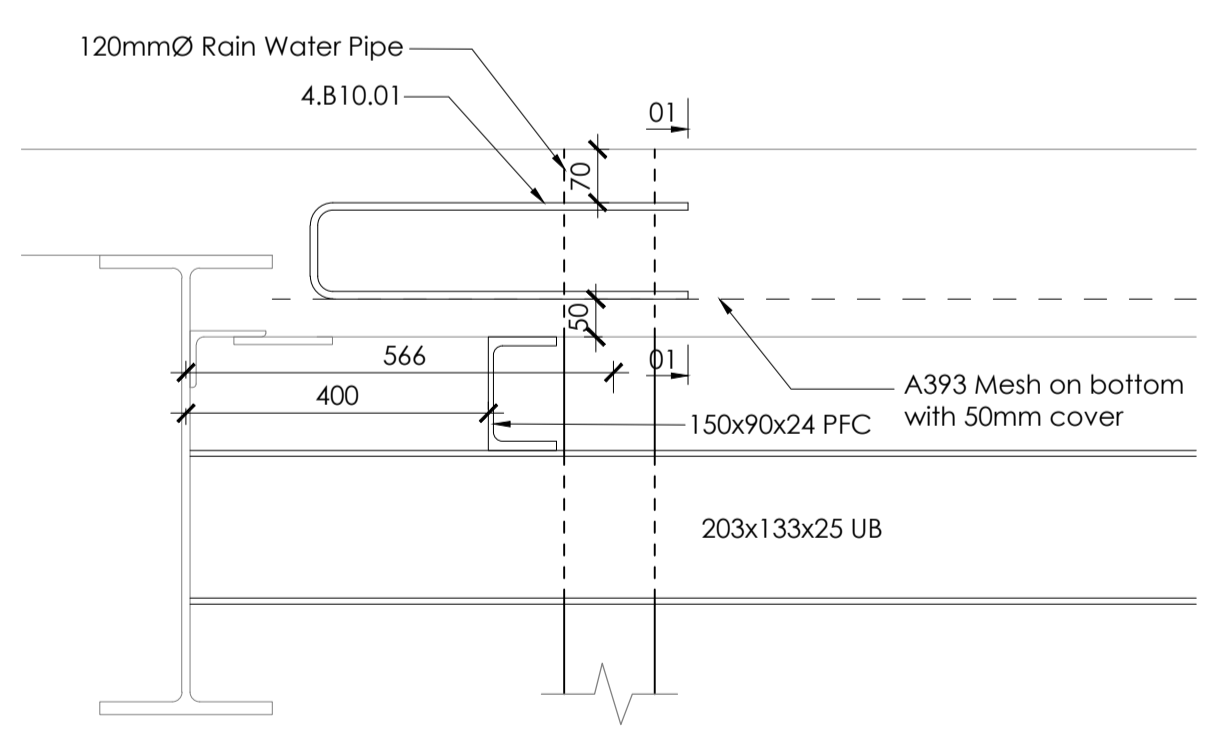
New 203 UB Connection Detail to Existing UB (1:10)



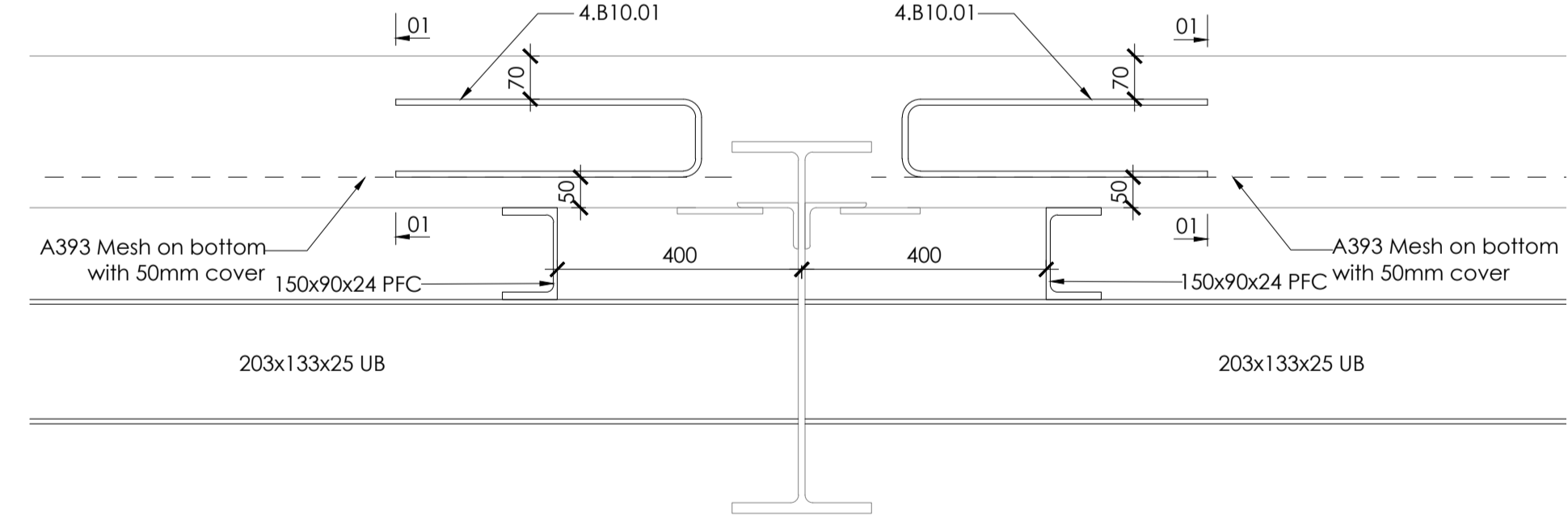
203 UB to Channel Connection Detail (1:10)



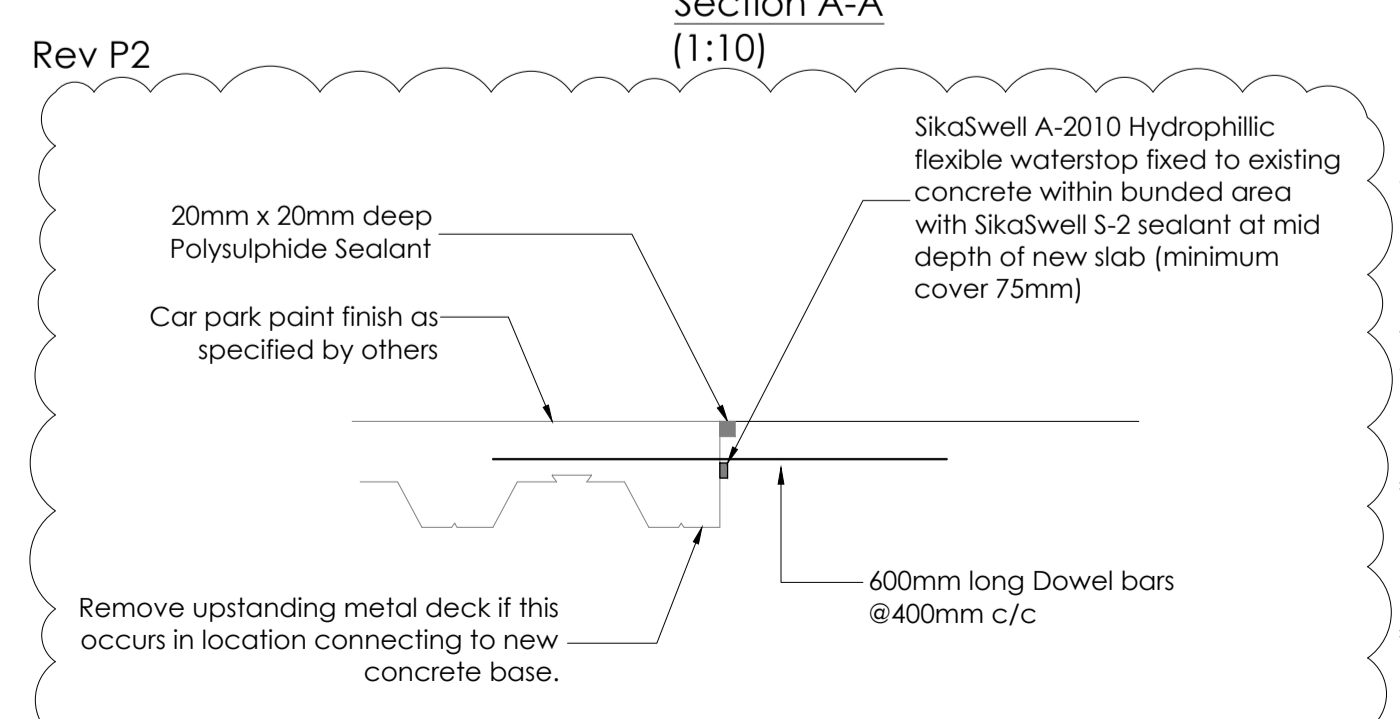
Location Key Plan (NTS)



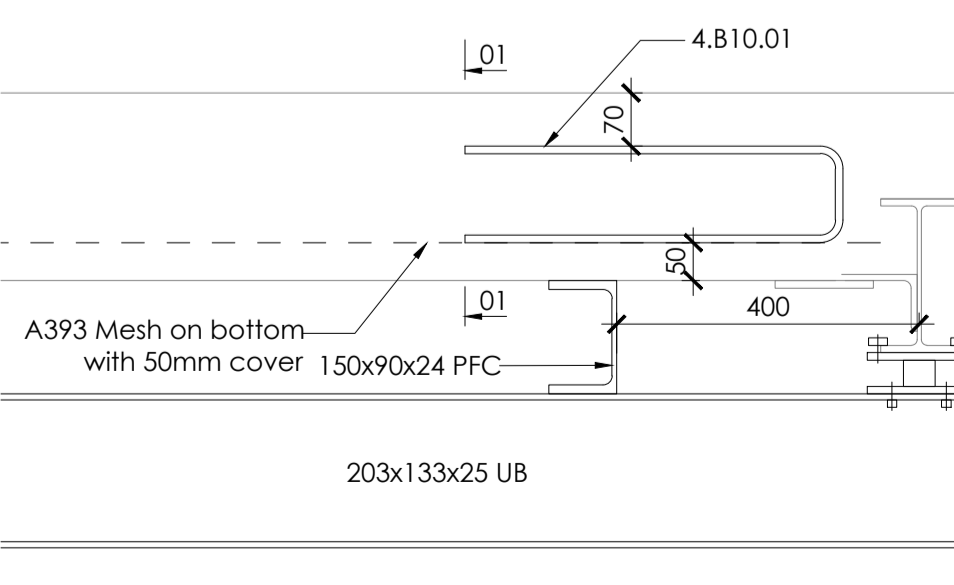
Section A-A (1:10)



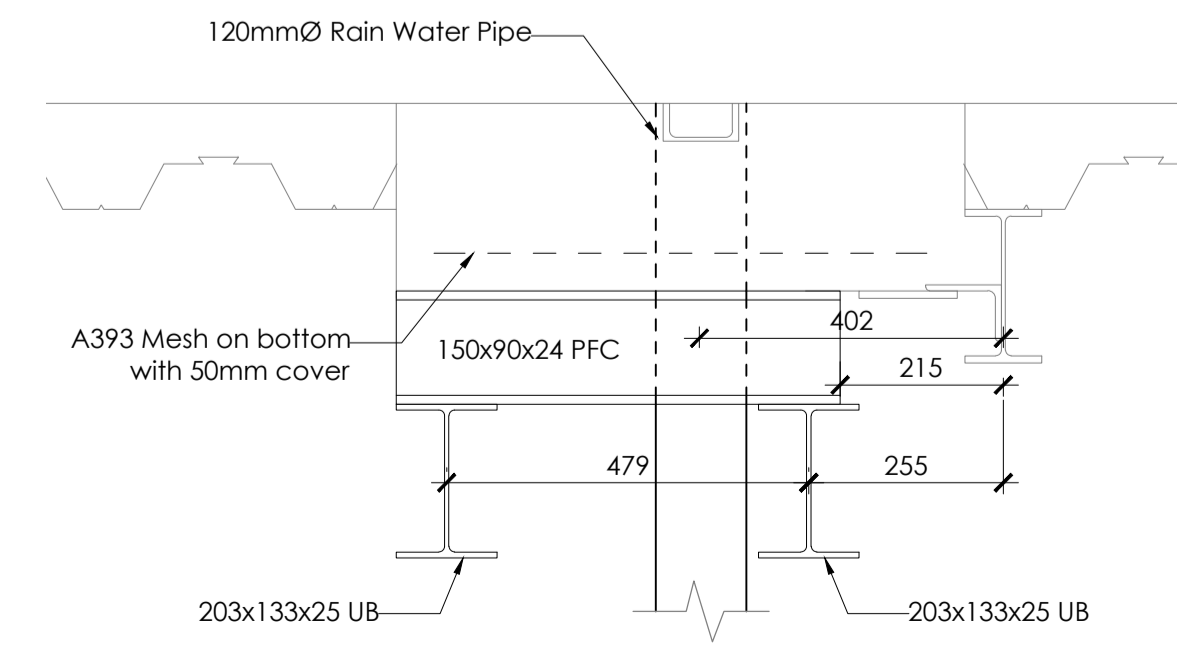
Section B-B (1:10)



New Concrete to Existing Concrete Connection Detail (1:10)



Section D-D (1:10)



Section C-C (1:10)

Rev	Description	Drn	Vfd	Date
P2	New to existing concrete connection detail added	GT	PEJ	04/10/2023
P1	Initial issue for review/comment	GT	PEJ	29/09/2023

As outlined in section 2.3 of the CIB Industry Guidance to Designers, insignificant risks can usually be ignored, as can risks arising from routine construction activities, unless the design compounds or significantly alters these risks. In accordance with CDM Regulations 8, 9 and 11, any significant risks relating to the design features shown on this drawing have been identified and annotated thus: ■

No significant risks identified
 Significant risks have been identified - refer to notes on drawing for information on residual risks and any control measures to be employed.

Refer to the current Designers Risk Assessment sheets for further details.

Designer's Signature: PEJ Date: SEP '23

Drawing Status: REVIEW/COMMENT

williamsaunders
 architecture : engineering : building consultancy
 Newark Beacon Tel: 01636 704361
 Cafferata Way W: wm-saunders.co.uk
 Newark-on-Trent
 Nottinghamshire, NG24 2TN
 Also at Leeds, Lincoln, Warkworth

Project			
WELHAM STREET CAR PARK, GRANTHAM			
Client			
SOUTH KESTIVEN DISTRICT COUNCIL			
Title			
AREA E REMEDIAL WORKS DETAILS			
Ws Project No	Drawn by	Date	Scale
12210	GT	25/09/23	AS NOTED @A1
Drawing / document reference:			
Project	Originator	Vol/Sys/Level	Type Role Number Status Revision
12210-WMS-ZZ-XX-D - S	-	-	- 22815 - S3 - P2